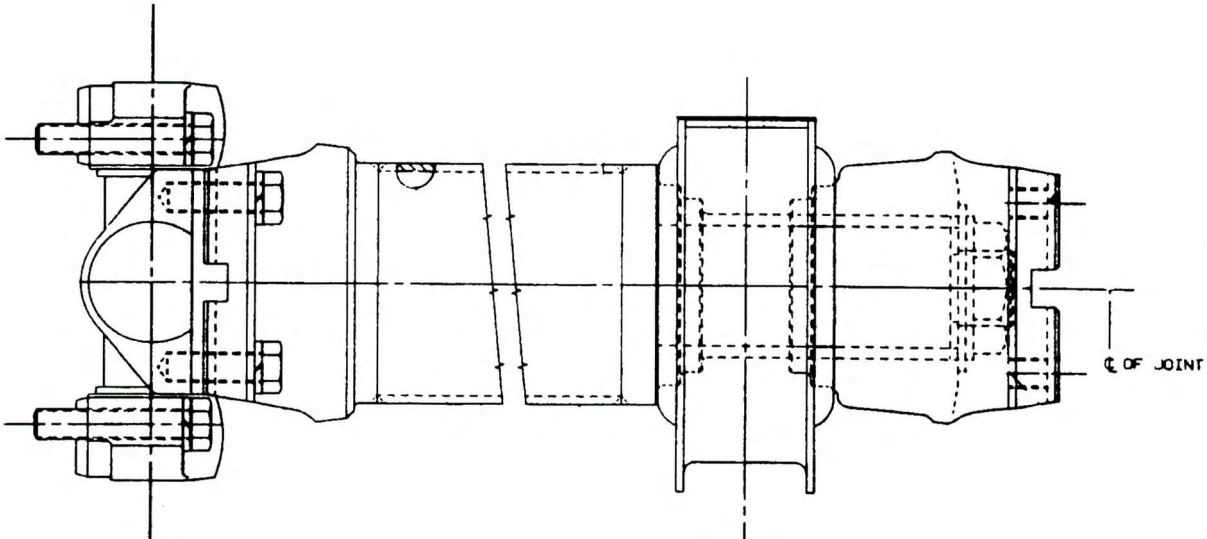


Manitowoc Crane Group

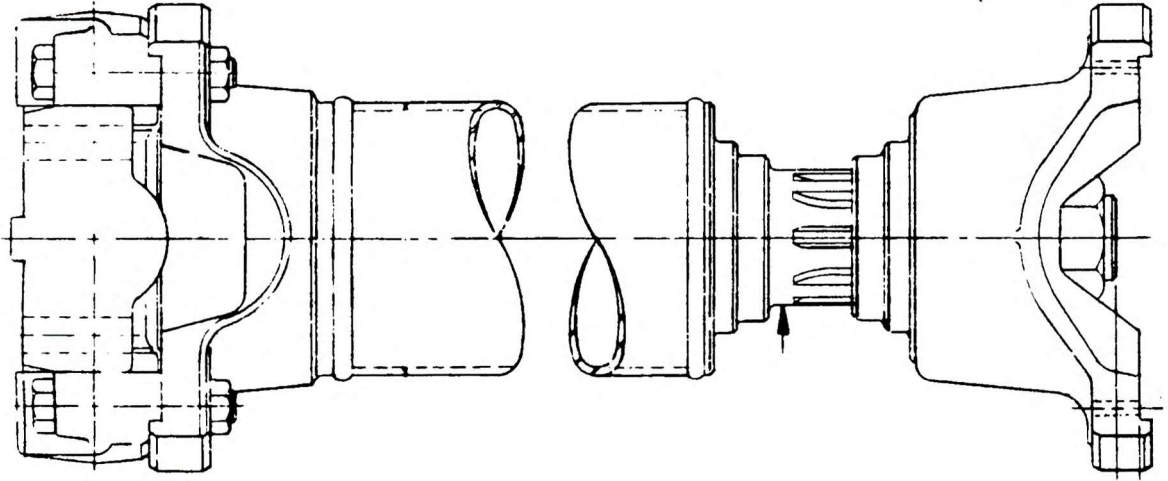
ITEM 4
DESIGN B



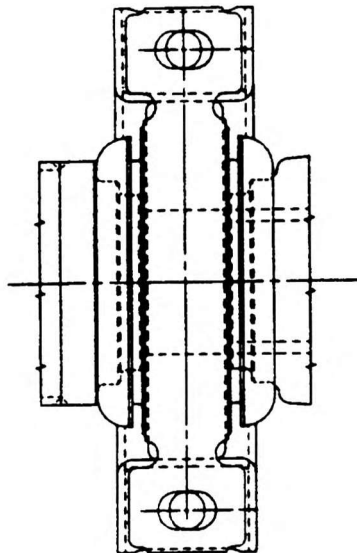
Manitowoc Crane Group

ITEM 4

DESIGN A



ITEM 5 TO BE USED WITH
DESIGN A



(SHEET 2 OF 3)

2171800164

